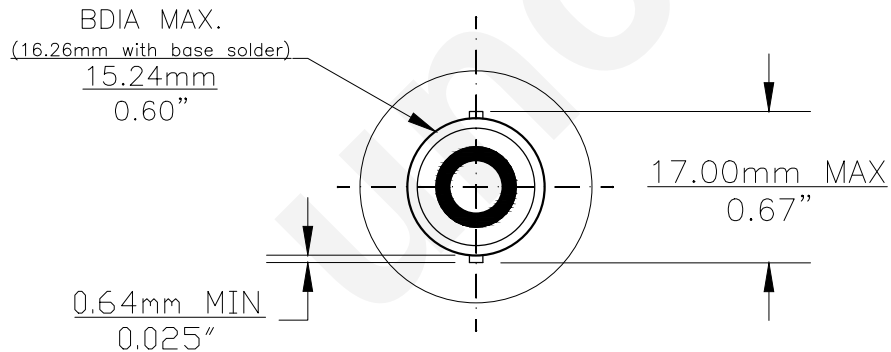
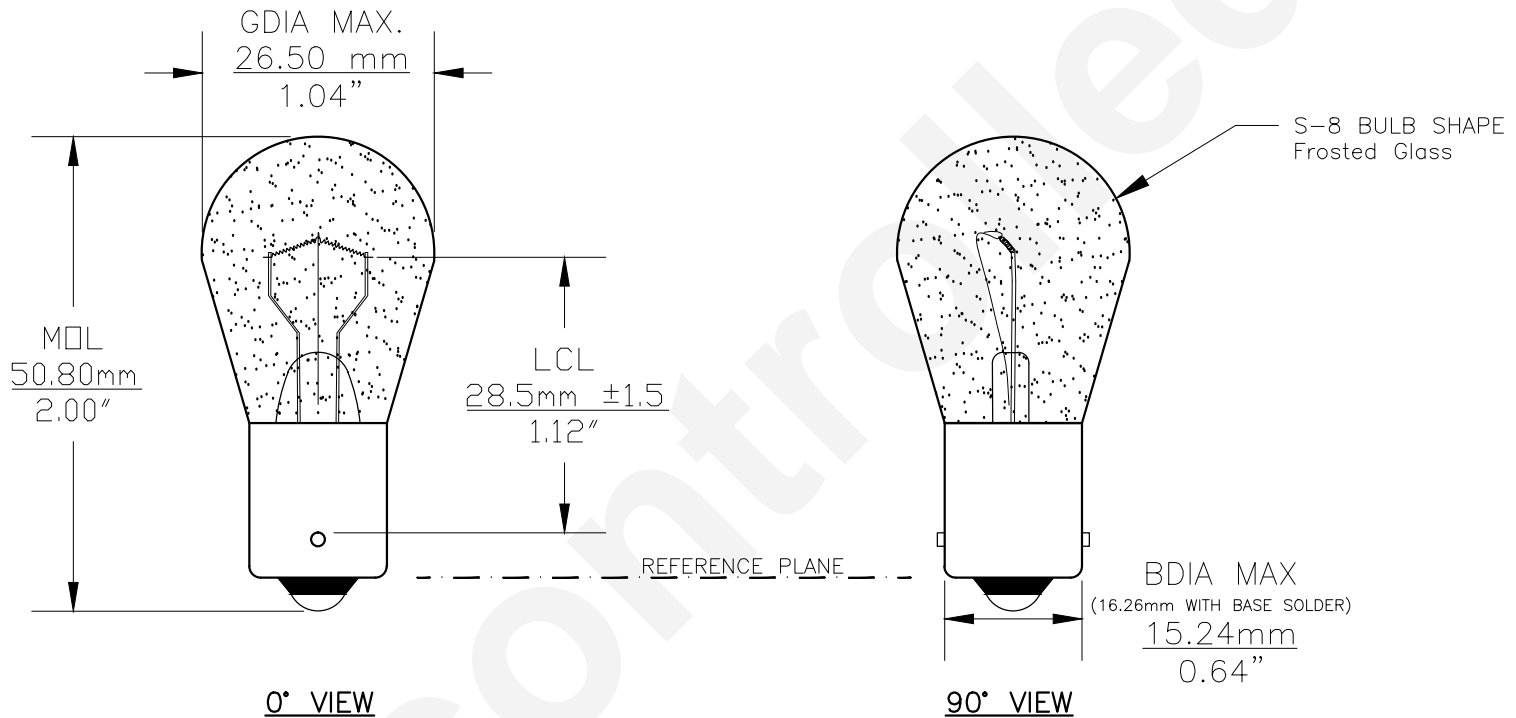




PART NO.	BASE TYPE	DESIGN VOLTS	DESIGN AMPS	MSCD	FILAMENT TYPE	AVERAGE LIFE HOURS	REVISIONS			
							REV #	DESCRIPTION	DATE	APPROVED
15911F	S.C. Bayonet (BA15s)	28.0V	0.61±5%	15±10%	C-2V	1000	1	ISSUED	10/22/2014	R.M.



Note: Made according to SAE specifications



UNLESS OTHERWISE SPECIFIED: DIMENSIONS ARE IN INCHES TOLERANCES		CEC INDUSTRIES LTD			
DECIMALS .XX ± .05		FSCM NO.		DWG NO.	
ANGULAR .XXX ± .010		599 BOND STREET		LINCOLNSHIRE, IL 60069	
FRACTIONAL ±1/64		TITLE		REV	
DRAWN	DATE	LIGHT BULB NO. 15911F (INSIDE FROSTED)			
ROSE MEDINA	10/22/2014	SIZE	DWG NO.		REV
CHECKED		A	15911F		1
DESIGN	SCALE	PLOT SCALE		SHEET 1 OF 1	
MATERIAL	FILE	15911F.pdf		DRAWING NOT TO SCALE	